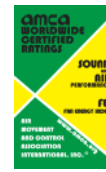




COOK

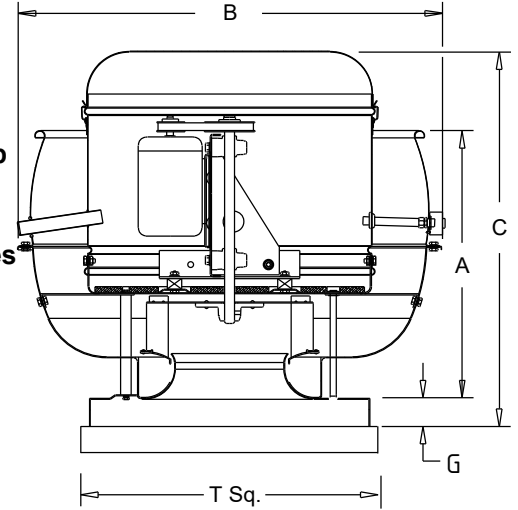


165V6B-24.75

Upblast Centrifugal Exhaust Ventilator Roof Mounted/Belt Drive

STANDARD CONSTRUCTION FEATURES:

All aluminum housing - Backward inclined all aluminum wheel - Two piece top cap with stainless steel quick release latches - One piece bottom spinning - Welded curb cap corners - Lifting Lugs - Permanently lubricated ball bearing motors - Oil and heat resistant, static conducting belts - Adjustable pitch drives through 5 hp motor - Corrosion resistant fasteners - Regreasable bearings in cast iron pillow block housing, rated at 200,000 hours average life - All fans factory adjusted to specified fan RPM - Transit tested packaging.



Performance (*Bhp includes 11% drive loss)

Qty	Catalog Number	Flow (CFM)	SP (inwc)	Fan RPM	Power* (HP)	FEG
1	165V6B-24.75	2680	.625	1235	.744	n/a(<1HP)

Altitude (ft): 0 Temperature (F): 70

Motor Information

HP	RPM	Volts/Ph/Hz	Enclosure	FLA	Mounted
3/4	1725	115/1/60	ODP -SE	13.8	Yes

FLA based on NEC (2017) Table 430.248

Sound Data Inlet Sound Power by Octave Band

1	2	3	4	5	6	7	8	LwA	dBA	Sones
84	89	87	75	71	69	63	58	81	70	18.9

- Distance from Sound source 5 ft

Accessories:

DRIVES (1.5 SF) @ 1235 RPM
UL762 (327Y-300DEG)

Dimensions (inches)

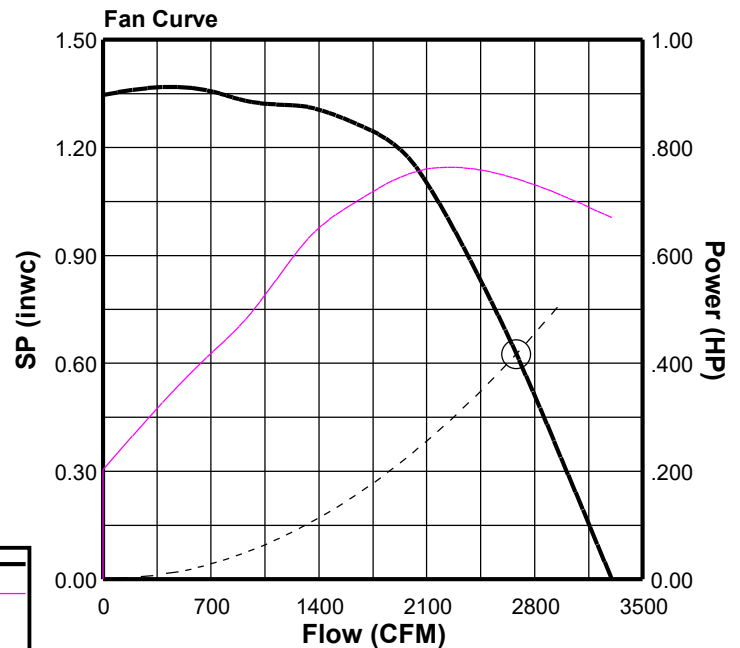
A	20-15/16
B	34-11/16
C	30-3/4
G	2
T Sq.	24.75
Roof Open. Sq.*	19-1/2

NOTE: Accessories may affect dimensions shown.

Weight(lbs)***	Shipping	118	Unit	93
----------------	----------	-----	------	----

* Roof opening size for curbs supplied by Cook only.

***Includes fan, motor & accessories.



Fan Curve Legend

CFM vs SP	—
CFM vs HP	—
Point of Operation	○
System Curve	- - -