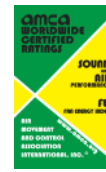




COOK

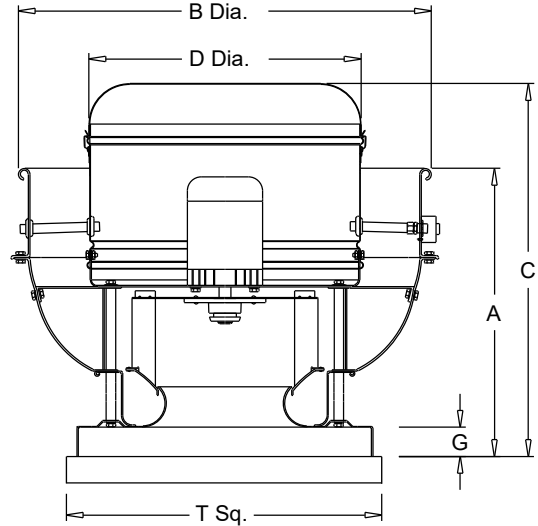


150V15D-24.75

**Upblast Centrifugal
Exhaust Ventilator
Roof Mounted/Direct Drive**

STANDARD CONSTRUCTION FEATURES:

All aluminum housing - Backward inclined all aluminum wheel - Two piece top cap with stainless steel quick release latches - One piece bottom spinning - Welded curb cap corners - Permanently lubricated ball bearing motors - Corrosion resistant fasteners - Transit tested packaging.



Performance

Qty	Catalog Number	Fan RPM	Power (HP)	FEG
1	150V15D-24.75	1550	.750	n/a(<1HP)

Motor Information

HP	RPM	Volts/Ph/Hz	Enclosure	TOL
3/4	1550	115/1/60	ODP -SE	Yes

Accessories:

UL762 (327Y-300DEG)

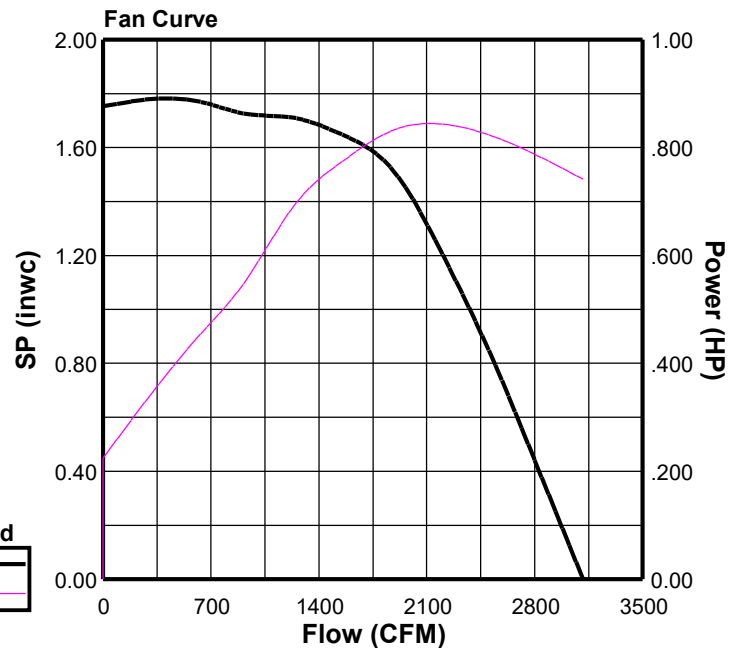
Dimensions (inches)

A	20-15/16
B Dia.	34-11/16
C	30-1/4
D Dia.	23-13/16
G	2
T Sq.	24.75
Roof Open. Sq.*	19-1/2

NOTE: Accessories may affect dimensions shown.

Weight(lbs)***	Shipping	112	Unit	87
-----------------------	-----------------	------------	-------------	-----------

* Roof opening size for curbs supplied by Cook only.
***Includes fan, motor & accessories.



Fan Curve Legend

CFM vs SP	—
CFM vs HP	—