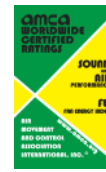




COOK

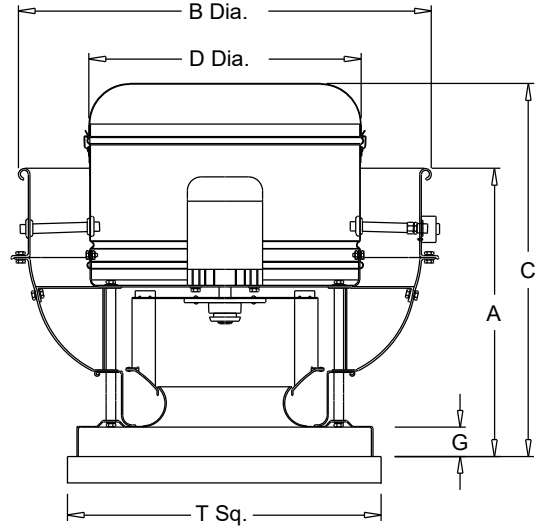


135V15D-21

Upblast Centrifugal Exhaust Ventilator Roof Mounted/Direct Drive

STANDARD CONSTRUCTION FEATURES:

All aluminum housing - Backward inclined all aluminum wheel - Two piece top cap with stainless steel quick release latches - One piece bottom spinning - Welded curb cap corners - Permanently lubricated ball bearing motors - Corrosion resistant fasteners - Transit tested packaging.



Performance

Qty	Catalog Number	Fan RPM	Power (HP)	FEG
1	135V15D-21	1550	.500	n/a(<1HP)

Motor Information

HP	RPM	Volts/Ph/Hz	Enclosure	TOL
1/2	1550	115/1/60	ODP -SE	Yes

Accessories:

UL762 (327Y-300DEG)

Dimensions (inches)

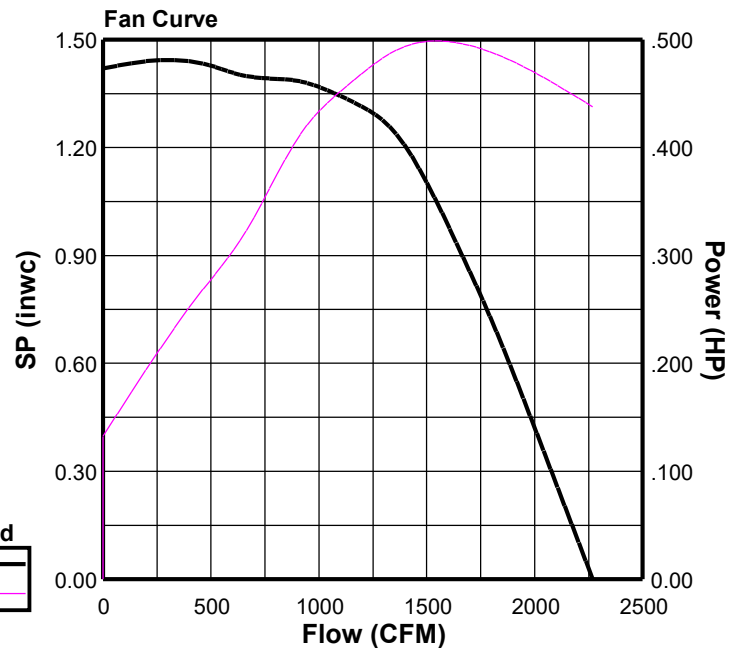
A	19-1/16
B Dia.	30-3/16
C	28-5/8
D Dia.	20-3/8
G	2
T Sq.	21
Roof Open. Sq.*	15-1/2

NOTE: Accessories may affect dimensions shown.

Weight(lbs)***	Shipping	91	Unit	74
----------------	----------	----	------	----

* Roof opening size for curbs supplied by Cook only.

***Includes fan, motor & accessories.



Fan Curve Legend

CFM vs SP	—
CFM vs HP	—