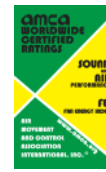




# COOK

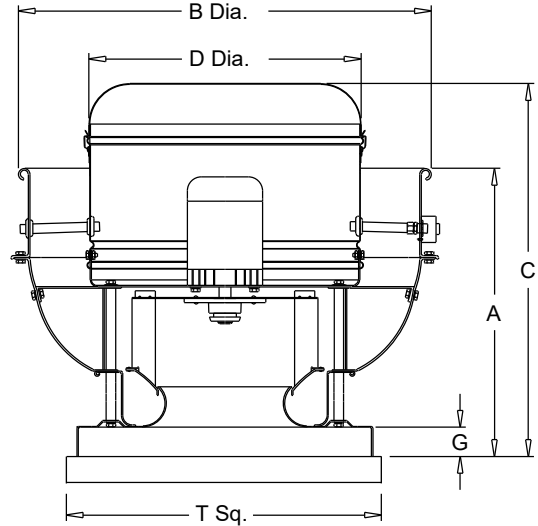


## 101V15D-19

### Upblast Centrifugal Exhaust Ventilator Roof Mounted/Direct Drive

#### STANDARD CONSTRUCTION FEATURES:

All aluminum housing - Backward inclined all aluminum wheel - Two piece top cap with stainless steel quick release latches - One piece bottom spinning - Welded curb cap corners - Permanently lubricated ball bearing motors - Corrosion resistant fasteners - Transit tested packaging.



#### Performance

Qty	Catalog Number	Fan RPM	Power (HP)	FEG
1	101V15D-19	1550	.125	n/a(<1HP)

#### Motor Information

HP	RPM	Volts/Ph/Hz	Enclosure	TOL
1/8	1550	115/1/60	ODP -SE	Yes

#### Accessories:

UL762 (327Y-300DEG)

#### Dimensions (inches)

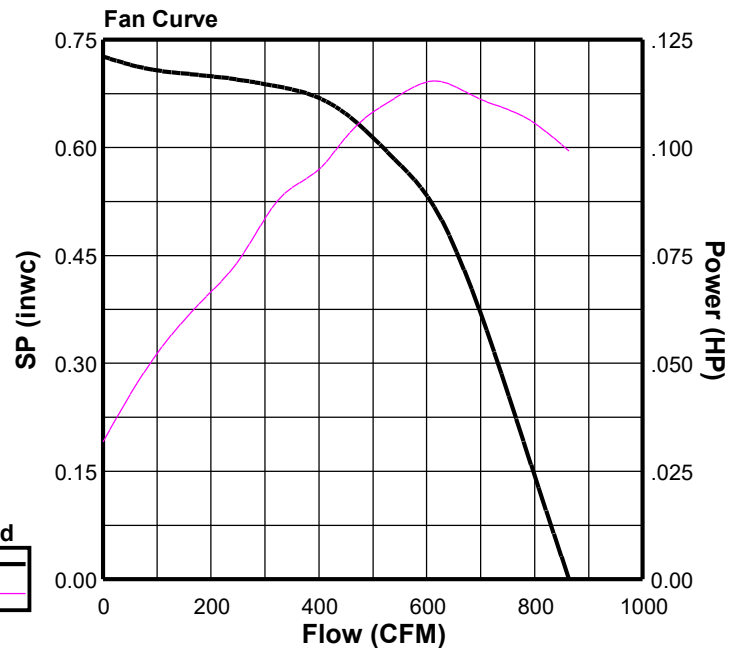
A	12-1/2
B Dia.	25-1/4
C	22-5/16
D Dia.	16-3/4
G	2
T Sq.	19
Roof Open. Sq.*	13-1/2

NOTE: Accessories may affect dimensions shown.

Weight(lbs)***	Shipping	43	Unit	33
----------------	----------	----	------	----

\* Roof opening size for curbs supplied by Cook only.

\*\*\*Includes fan, motor & accessories.



#### Fan Curve Legend

CFM vs SP	—
CFM vs HP	—