



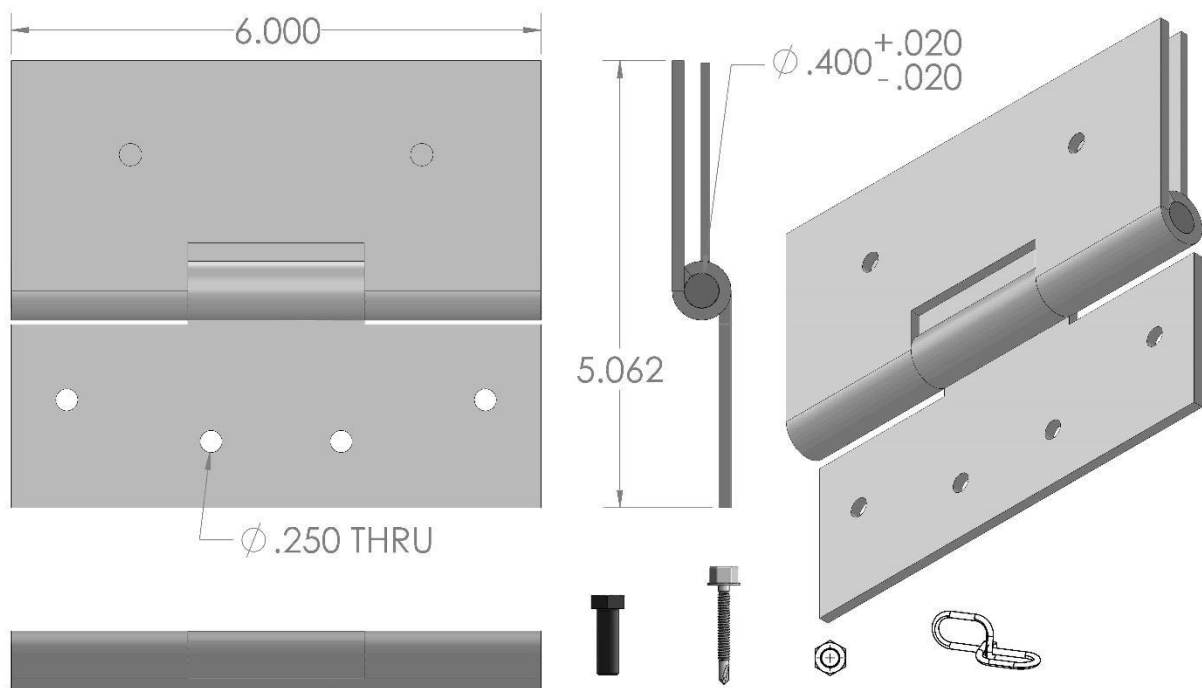
# RCH5 Exhaust Fan Hinge Kit

## KIT INCLUDES:

(2 ea.) Hinges, (2ea) safety chains, (4 ea.) 5/16-18 nuts, (4 ea.) 5/16-18 x 1" hex nut bolt, (12 ea.) #10 TEK x 1.5"

## TOOLS REQUIRED:

Work gloves, Safety glasses, powered drill, 3/8" hex bit, Crescent wrench, Vise Grips, Lineman's



1. Lay out your parts to be assembled.
2. Start bolts into the top two holes of the hinge. Back nuts up from hinge face.
3. Slide the hinge into the corner edge of the fan base. Tighten bolts until hinge start to spread. Do not over tighten.
4. Tighten the nuts until snug.
5. Install four self-tapping 3/8" screws, with a drill, through bottom leaf of hinge.
6. Repeat for second hinge.
7. Screw the end of the safety chain to the very corner of the fan base. Repeat on other side.
8. Attach other end of chain to fan curb. Allow appropriate slack.